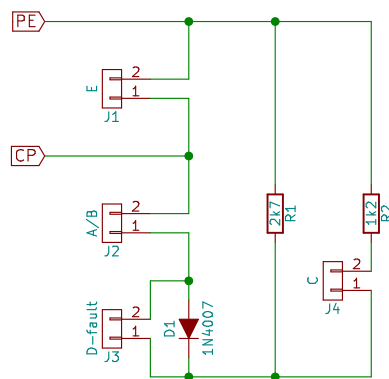


Vehicle status



Vehicle state:

A: Vehicle disconnected
B: Vehicle connected

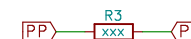
C: Vehicle requested charging

D: Vehicle requested vented charging (not implemented)

E: CP and PE shorted — cable or vehicle failure

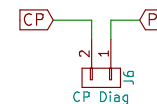
F: EVSE failure (not implemented)

Type 2 connector



Current coding:
max. 13A: 1k5 Ohm
max. 20A: 680 Ohm
max. 32A: 220 Ohm
max 63A: 100 Ohm

CP diagnostics



EVSE car simulator

Mathias Dalheimer

Sheet: /

File: EVSE-Car-Simulator.sch

Title: Car simulator

Size: A4

Date: 2018-11-26

Rev: 0.5

KiCad E.D.A. kicad 5.0.1-33cea8e68ubuntu16.04.1

Id: 1/1